



CSPRA

Official By-Laws & Rodeo Rules

Effective: January 1, 2019

(Revisions since 2018 printing marked in red)



RODEO TODAY



**Welcome Contestants
and Rodeo Fans!!**



TABLE OF CONTENTS

SECTION I - BY-LAWS

A. PURPOSE OF THE ASSOCIATION 5

B. OFFICERS OF THE ASSOCIATION 5

 1. **PRESIDENT** 5

 2. **VICE-PRESIDENT** 5

 3. **BOARD OF DIRECTORS** 5

 a. **Affairs and Meetings** 5

 b. **Special Meetings** 6

 c. **Notice** 6

 d. **Quorum** 6

 e. **Event Directors** 6

 f. **Term of Office** 6

 g. **Vacancies** 6

 h. **Rule Changes** 6

 4. **SECRETARY/TREASURER** 7

 a. **Secretary** 7

 b. **Treasurer** 7

 c. **Secretary/Treasurer Combo** 7

C. AUDITING 7

D. REMUNERATION 7

E. BORROWING POWERS 8

F. MEETINGS 8

 1. **GENERAL MEETINGS** 8

 2. **SPECIAL MEETINGS** 8

 3. **VOTING** 8

SECTION II - ASSOCIATION RULES

A. CSPRA COMMITTEES 9

 1. **RULES COMMITTEE** 9

 a. **Rule Change Procedure** 9

 2. **GRIEVANCE COMMITTEE** 9

B. MEMBERSHIP 10

 1. **AGE** 10

 2. **DUES** 10

 3. **ASSOCIATE MEMBERSHIPS** 10

 4. **NON-MEMBERS** 10

5. RULE COMPLIANCE.....	10
6. CONDITIONS OF WITHDRAWAL OF MEMBERS.....	11
7. TELEVISION AND MEDIA RULES.....	11
C. CONDUCT AND DISCIPLINARY ACTION.....	12
1. PROGRESSIVE FINE STRUCTURE.....	12
2. OFFENCES.....	12
a. Level I.....	12
b. Level II.....	12
c. Level III.....	13
3. REPORTING PROCEDURE.....	13
4. INVESTIGATION PROCEDURE.....	14
a. Notice.....	14
b. Response.....	14
5. GRIEVANCE PROCEDURE.....	14
6. HEARING PROCEDURE.....	14
D. RODEO COMMITTEE RULES.....	15
1. APPROVAL/SANCTION REQUESTS.....	15
2. EVENT HOSTING OPTIONS.....	15
3. RODEO COMMITTEE SECRETARY.....	16
4. TURNOUTS, TRADE OUTS AND RELEASES.....	16
5. STOCK.....	16
6. TIMERS, JUDGES, STOCK CONTRACTORS.....	17
a. Timers.....	17
b. Judges.....	17
c. Stock Contractors.....	17
7. RODEO RESULTS & PRIZE MONEY.....	17
8. MISCELLANEOUS DUTIES.....	18
E. CONTESTANT RULES & GENERAL RODEO INFO.....	18
1. ENTERING.....	18
2. DRAWING POSITIONS.....	19
3. DRAWING STOCK.....	19
a. Roughstock Riding Events.....	19
b. Timed Events.....	20
c. General.....	20
4. DRAWING OUT/RELEASES & REFUNDS/FEES TO BE PAID.....	20
5. TURNING OUT.....	21
6. JUDGING & JUDGES.....	21
a. Roughstock Riding Events.....	21
b. Timed Events.....	22
c. Barriers and Scoring.....	22
1) Setting the Barrier.....	22
2) Judging the Barrier.....	24
3) General Barrier Info.....	25

d. Posting Markings and Times	25
e. General	25
6. POINT AWARD SYSTEM	26
7. PAYOFF FORMULA	28

SECTION III - SPECIFIC RODEO EVENT RULES

A. BAREBACK RIDING RULES	29
1. AGE CATEGORIES.....	29
2. RIGGING	29
3. TO QUALIFY	29
4. DISQUALIFICATION.....	29
B. SADDLE BRONC RIDING RULES	29
1. AGE CATEGORIES.....	29
2. SADDLE SPECIFICATIONS	29
3. TO QUALIFY	30
4. DISQUALIFICATION.....	30
C. BULL RIDING RULES	31
1. AGE CATEGORIES.....	31
2. TO QUALIFY	31
3. DISQUALIFICATION.....	31
D. STEER WRESTLING RULES	32
1. AGE CATEGORIES.....	32
2. CATTLE.....	32
3. HAZER.....	32
4. TO QUALIFY	32
5. BARRIERS AND SCORING	33
E. TIE-DOWN ROPING RULES.....	33
1. AGE CATEGORIES.....	33
2. CATTLE.....	33
3. TO QUALIFY	34
4. BARRIERS AND SCORING	35
F. LADIES & MEN'S BREAKAWAY ROPING RULES.....	35
1. AGE CATEGORIES.....	35
2. CATTLE.....	35
3. TO QUALIFY	35
4. BARRIERS AND SCORING	36
G. TEAM ROPING RULES.....	36
1. AGE CATEGORIES.....	36
2. CATTLE.....	36

3. TO QUALIFY	36
4. BARRIERS AND SCORING	37
5. DISQUALIFICATION	38
H. RIBBON ROPING RULES	38
1. AGE CATEGORIES.....	38
2. CATTLE.....	38
3. TO QUALIFY	38
4. BARRIERS AND SCORING	39
5. DISQUALIFICATION.....	39
I. BARREL RACING RULES	40
1. AGE CATEGORIES.....	40
2. BARREL PATTERN	40
3. MARKING THE BARREL PATTERN.....	41
4. GROUND CONDITIONS.....	41
5. ELECTRIC TIMERS.....	42
6. RE-RUNS.....	42
7. MISCELLANEOUS.....	42

SECTION IV - CSPRA FINALS

A. FINALS QUALIFICATION.....	43
B. FINALS POINT SYSTEM	44
C. FINALS AWARDS.....	44
D. FINALS MISCELLANEOUS RULES	44



2018 CSPRA FINALISTS

CANADIAN SENIOR PRO RODEO ASSOCIATION

Hereinafter referred to as the CSPRA and/or the Association

(Situations not covered in this Rulebook will be referenced to NSPRA Rulebook)

SECTION I - BY-LAWS

The By-Laws may be rescinded, altered or added to by a "Special Resolution".

A. PURPOSE OF THE ASSOCIATION

1. To provide for the recreation of the members and to promote and afford opportunity for friendly and social activities.
2. To organize and promote Senior Pro Rodeo in Canada.
3. To protect the older cowboys and cowgirls who wish to rodeo as a sport or hobby.
4. The Association shall be benevolent and charitable, to promote rodeo as an enjoyable sport in another segment of the lives of those who participate.
5. To promote the welfare of members and to increase the membership hereto.
6. To cooperate with committees of all Association-approved rodeos, to promote more rodeos and to strive to better the conditions and rules governing all rodeo events.
7. The Association is for the members and therefore shall operate non-profit.

B. OFFICERS OF THE ASSOCIATION

The officers of the Association shall be President, Vice President, Directors and Secretary/Treasurer.

1. PRESIDENT

The President shall be ex-officio, a member of all committees. He shall, when present, preside at all meetings, and in the absence of a chairman may be elected by the meeting to preside thereat. The President may appoint such committees as he may deem advisable and/or such other persons to act in an advisory capacity as he may deem necessary for matters such as rule changes, grievances, etc., whose duty it will be to process matters submitted to it by the members and forward recommendations on those matters to the Board for final action. The President does not have a vote on any changes in rules.

2. VICE-PRESIDENT

The Vice-President shall have the same powers and duties as the President, when the President is unavailable.

3. BOARD OF DIRECTORS

Board of Directors, Executive Committee or Board, shall mean the Board of Directors of the Association.

- a. Affairs and Meetings: The Board shall, subject to the by-laws or directions given it by majority vote at any meeting properly called and

constituted, have full control and management of the affairs of the Association, and meetings of the Board shall be called by the President and held as often as may be required, but at least once every three (3) months.

b. Special Meetings: May be called on the instructions of any two members thereof provided they request the President in writing to call such meeting, and state the business to be brought before the meeting.

c. Notice: Meetings of the Board shall be called by ten (10) days notice in writing mailed to each member or three (3) days notice by email or phone.

d. Quorum: In case of an emergency, any four (4) Board members shall constitute a quorum, and meetings shall be held without notice if a quorum of the Board is present, provided however that any business transactions at such meeting shall be ratified at the next regularly called meeting of the Board; otherwise they shall be null and void.

e. Event Directors: Will be elected to represent each rodeo event approved by the Association. Such other directors may be appointed as deemed advisable by the Board. Duties will include:

1) To serve as the link between members and the Board relaying suggestions, complaints, etc., concerning their events.

2) To represent the competitors in their respective events in all discussions with the Board in the manner in which the contestants in those events so request.

3) To be available to serve the Board and members in any way for the betterment of the Association.

4) To help make decisions if a situation is not covered by the rulebook.

5) To oversee their respective events at each rodeo and to approve the stock contractor and the stock provided at each rodeo.

6) To serve as an intermediary between contestants and judges, committees, and contractors.

7) To name a spokesperson to assist or perform his duties if unable to attend a rodeo.

f. Term of Office: The term shall be for two years from the date of election. In the event of the death of any officer or member of the Board or the absence of any officer or member of the Board from three consecutive meetings, that office shall be deemed vacant.

g. Vacancies: Shall be filled by the Board with majority approval of all members thereof. It will be so arranged, to the nearest event number, one half of the Board will be retiring each year in order to provide continuity to the affairs of the Association. Any director position shall be automatically vacated if the director shall resign his office by delivering a written resignation to the secretary of the Association, or if at a special general meeting of members a resolution is passed by three-quarters (3/4) of the members present at the meeting that he be removed from office.

h. Rule Changes: The Board of Directors have the power to change and alter rules at any time within the rodeo year as needed. Rule changes can be made by the Board other than at the Annual Meeting.

4. SECRETARY/TREASURER

a. Secretary: It shall be the duty of the Secretary to attend meetings of the Association and of the Board, and to keep accurate minutes of same. He/she shall have charge of the seal of the Association, which seal whenever used shall be authenticated by the signature of the Secretary and the President, or in the case of the death or inability of either to act, by the Vice President. In case of the absence of the Secretary, those duties shall be discharged by such officer as may be appointed by the Board. The Secretary shall have charge of all the correspondence of the Association and be under the direction of the President and of the Board. The Secretary shall also keep record of all the members of the Association and their addresses, send all notices of the various meetings as required, and shall collect and receive the annual dues or assessments levied by the Association, such monies to be promptly turned over to the Treasurer for deposit in a chartered bank as hereinafter required.

b. Treasurer: The Treasurer shall receive all monies paid to the Association and shall be responsible for the deposit of same in whatever bank the Board may order. He/she shall properly account for the funds of the Association and keep such books as may be directed. He/she shall present a full detailed account of receipts and disbursements to the Board whenever requested and shall prepare for submission to the Annual General Meeting a statement duly audited as hereinafter set forth of the financial position of the Association and submit a copy of same to the Secretary for the records of the Association.

c. Secretary/Treasurer Combo: The office of the Secretary and Treasurer may be filled by one person if the Annual General Meeting for the election of officers shall so decide.

C. AUDITING

The books, accounts and records of the Secretary/Treasurer shall be audited at least once every year by a duly qualified accountant or by two members of the Association elected for that purpose at the Annual General Membership meeting (AGM). A complete and proper statement of the standing of the books for the previous year shall be submitted by such auditor at the AGM of the Association. The fiscal year of the Association shall be December 31. The books and records of the Association may be inspected by any member of the Association at the AGM provided for herein or at any time upon giving reasonable notice and arranging a time satisfactory to the officer or officers having charge of same. Each member of the Board shall have access to such books and records.

D. REMUNERATION

Unless authorized, no officer, director or member shall receive any remuneration for his services. The Board has approved remuneration for the Secretary/Treasurer position and the Sponsorship Coordinator position.

E. BORROWING POWERS

For the purpose of carrying out its objects, the Association may borrow or raise or secure for the payment of money in such a manner as it deems fit, and in particular, by the issue of debentures, but this power shall be exercised only under the authority of the Association, and in no case shall debentures be issued with the sanction of a special resolution of the Association.

F. MEETINGS

1. GENERAL MEETINGS

The Association shall hold an Annual General Meeting (AGM) on or before December 31 of each year, of which due notice of the meeting, forty-five (45) days, shall be given to all members. At this meeting there shall be elected, any or all of the following positions whose two-year term is expiring: President, Vice President, and Event Directors. The officers and directors so elected shall form the Board, and shall serve until their successors are elected and installed. Any vacancy occurring during the year shall be filled at the next meeting, provided it is so stated in the notice calling such a meeting. Any member in good standing shall be eligible for any office in the Association. A meeting of the Association may be called at any time by the Secretary upon the instructions of the President or Board by notice in writing to the last known address of each member, delivered in the mail eight (8) days prior to the meeting or three (3) days prior if by email. If a member wishes to discuss an item at the AGM they must submit their intentions to the CSPRA Office, in writing, at least forty-five (45) days in advance of the AGM.

2. SPECIAL MEETINGS

A special meeting shall be called by the President or the Secretary upon receipt by him of a petition signed by one-third (1/3) of the members in good standing, setting forth the reasons for calling such a meeting, which shall be by letter to the last known address of each member, delivered in the mail eight (8) days prior to the meeting or three (3) days prior if by email.

3. VOTING

a. Ten-percent (10%) of the general membership constitutes a quorum for the General Meetings. Any member who has not withdrawn from membership nor has been suspended nor expelled as herein provided shall have the right to vote at any meeting of the Association. Such votes must be made in person and not by proxy or otherwise. Past-President and Associate Members do not have a vote.

b. Two-thirds (2/3) of the Directors shall constitute a quorum for the Directors' Meetings.

c. Four (4) Directors shall constitute a quorum should an emergency meeting need to be called.

d. The first meeting after the AGM shall include the previous Board as well as the incoming Board in order to transition the new Directors. Previous Directors will have a vote.

SECTION II - ASSOCIATION RULES

A. CSPRA COMMITTEES

1. RULES COMMITTEE

The Rules Committee shall oversee the implementation of new rules; and amendments to any rules contained within the CSPRA rulebook.

- a. The Rules Committee shall consist of a committee chairperson and six (6) committee members.
- b. The committee chair shall be appointed by the Board and shall serve in that position for a period of two (2) years.
- c. The committee members shall be volunteers from the general membership and shall serve for a period of two (2) years.
- d. Rule Change Procedures:

1) A new rule, rule change, or rule amendment may be brought forward by any member in good standing of the CSPRA.

2) The rule change proposal must be presented to the Rules Committee in written form. The form is available on the CSPRA website.

3) The deadline to submit a rule change proposal for the upcoming rodeo year is July 30. Thereafter, the Rules Committee shall convene a meeting in order to deal with all proposals properly submitted. After deliberation, the Rules Committee shall submit its written recommendation stating whether or not to adopt or reject each proposal to the Board and to the submitter of the proposal.

4) On or before September 1 of each year all rule change proposals will be published on the CSPRA website so that members may have an opportunity to submit comments prior to final Board action.

5) The Board shall review the Rule Committee's recommendations and shall officially adopt or reject each recommendation.

6) All of the Board's decisions regarding rule changes shall be published on the CSPRA website and those adopted shall be added to the rulebook.

7) Any rule passed on a trial basis must include start and end dates.

2. GRIEVANCE COMMITTEE

A Grievance Committee shall be appointed by the Board of Directors from time to time on an as-required basis. As a condition of membership and in consideration thereof, each member agrees that any disagreements, disputes or grievances shall be resolved through the CSPRA grievance procedures.

NOTE: Grievance procedures cannot be used to contest judge's call.

a. The Committee shall consist of five (5) members of the CSPRA who are held in good standing.

b. Members wishing to volunteer to sit on the grievance committee may express their interest to do so at the AGM. If an interested member is unable to attend the AGM, they may forward a letter to the CSPRA office expressing such an interest.

c. The Committee Chair shall be a member of the rules committee who shall sit in an advisory role and shall not have a vote.

B. MEMBERSHIP

1. AGE

- a. Membership is open to any person forty (40) years of age or older.
 - 1) The minimum age in roughstock riding events is thirty-five (35).
- b. The membership year runs from January 1st to December 31st.
- c. Your age as of December 31st determines your age for the entire year.

2. DUES

- a. Dues are **\$175 + GST** (Canadian funds) per year up to March 31st. After April 1st, membership dues are **\$185 + GST** (Canadian funds).
- b. A contestant may join the CSPRA at any time during the year but in order for points to count, membership dues must be paid to the CSPRA Office prior to entry in a CSPRA sanctioned rodeo.
- c. Members must pay current dues and all outstanding debts to the Association before being accepted as a member.
- d. Memberships will be accepted on entry closing days but must be paid in full by credit card or e-transfer.

3. ASSOCIATE MEMBERSHIPS

An Associate membership is available to anyone who advocates and encourages the support of rodeo.

- a. Associate Memberships range in levels from \$25 per year and up.
- b. An honorarium may be presented by the Board to anyone determined to have contributed greatly, with distinction, to the sport of rodeo and to the Association.

4. NON-MEMBERS

Non-members may compete in a sanctioned rodeo if permitted by the local rodeo committee.

- a. Boundaries are to be determined by the local committee.
- b. Local committees are responsible for all fees of non-members.
- c. Any points won by non-members will be void.
- d. **Should committees choose to allow non-members/locals to compete at a rodeo, a non-member/local may only enter one (1) rodeo per year. That is one rodeo total, NOT multiple rodeos at one location.**
- e. A Hazer in the Steer Wrestling Event need not be a full CSPRA member, but must be at least be 40 years of age and have an associate membership.

5. RULE COMPLIANCE

Any person becoming a member of this Association shall comply with all its rules, by-laws and decisions and shall be bound by same.

- a. All contestants are required to read the rules carefully, particularly those relating to the contest or events in which they enter. Failure to understand the rules will not be accepted as an excuse.
- b. Any member may be admitted, retained, suspended or expelled in accordance with such rules and regulations as the Board may adopt.
- c. Any member may be disciplined, fined, suspended or expelled from the Association and may be denied any of the privileges of the Association whenever it shall have been established by satisfactory evidence to the

Board that such member has knowingly and willfully violated any pertinent rule(s) of the Association. (*See*, Section II-C, Conduct and Disciplinary Action)

d. No person may participate in an Association sanctioned rodeo if they appear on the suspended list of any recognized rodeo association.

6. CONDITIONS OF WITHDRAWAL OF MEMBERS

a. Any member may resign from the Association by serving written notice to the Secretary of the Association.

b. The Board may in its sole discretion, reinstate any member who resigns in good faith after he/she has paid the then current dues and fees of the Association, provided said person is not on the suspended list of any Association whose suspended list is honored by the CSPRA.

7. MEDIA RULES

a. By becoming a member of the Association, a member releases to the Association the right to use his/her name and/or picture for the good of the Association and of the sport of rodeo as long as there is no commercial endorsements or resale involved.

b. The CSPRA retains all rights in and to the filming, taping, radio or TV broadcast or reproduction in any manner or form of any of its approved rodeos and parts thereof.

c. All proposals for filming or televising of sanctioned rodeos including local, cable or educational television must be cleared through the office of the CSPRA thirty (30) days prior to the first performance of the specific rodeo. Legitimate news coverage is exempted.

d. A member of the CSPRA who enters a sanctioned rodeo or rodeo event, and any stock contractor, contract personnel, official or staff of a rodeo, or other person admitted to the rodeo shall, as a condition of entry, employment, admission or other involvement therein, be deemed to consent of the CSPRA ownership of all rights in and to his or her appearance or other involvement therein, and CSPRA shall have the right, and may permit others as it deems fit, to dispense, reproduce and otherwise use any such person's name, voice, likeness, biography, photograph and other pictures in connection with the advertisement and promotion of the rodeo or rodeo events and any reproduction thereof in any form but not in conjunction with any product or service, unless that person's consent thereto is first obtained. A member of the CSPRA who participates in sanctioned rodeo events, authorizes CSPRA to act in the member's behalf as well as on behalf of the CSPRA in engaging in promotional activities relating to the conduct of the sport of rodeo.

Send inquiries to: Canadian Senior Pro Rodeo Association

At email: info@canadianseniorrodeo.com

C. CONDUCT AND DISCIPLINARY ACTION

Any member who has violated the Bylaws, the CSPRA Official Rules or any other rules of the CSPRA may be subject to reprimand, fine, suspension or expulsion pursuant to the penalties as set forth below.

1. PROGRESSIVE FINE STRUCTURE

In the case of offences listed herein, that are penalized by a fine, an escalating fine structure shall apply to offences committed within the same rodeo year.

- a. First offence penalty as listed per level of offence.
- b. Second offence shall be double the fine amount of the first offence, and a possible suspension and/or expulsion.
- c. Third offence shall be triple the fine amount of the second offence and a possible suspension and/or expulsion.

2. OFFENCES

a. Level I - The following offences shall be considered Level I offences and shall be punishable by a fine of \$25.00.

1) All contestants failing to adhere to the dress code while in the arena during any performance or slack, whether competing or not. Rule being that all contestants must wear a collared, cuffed, long sleeve shirt with snaps or buttons and western cowboy hat and boots. Exceptions being:

a) Runners in the Ribbon Roping event are not required to wear western boots (but must use some type of footwear) or a western hat. However, if a Ribbon Roping Runner wishes to wear head gear, it must be a western cowboy hat.

b) Barrel workers (for the Barrel Racing event) may set timers, barrels, etc., using the same dress code as Ribbon Runners, except at the CSPRA Finals where a western hat is required.

2) Refusing to assist a rodeo committee member or stock contractor when asked to do so.

3) Contestant not ready to compete when called upon or failure to make an honest effort in competition.

4) Use of a hotshot on rodeo stock after contestant has requested that a hotshot not be used on their stock.

5) Failure to submit verification for a turn out or permitted release as required in Section II-E, Rodeo Contestant Rules, No. 4 below.

b. Level II - The following offences shall be considered Level II offences and shall be punishable by a fine of \$100.00.

1) Bad cheques - every member shall be responsible for their entry fees regardless of who writes the cheque. There will be a 30-day grace period allowing the member to make good the cheque before disciplinary action is taken by the CSPRA. The offending member shall be refused entry to any subsequent rodeos until the bad cheque has been made good. Any member that issues two (2) bad cheques in the same rodeo year, shall be put on a "cash only" status.

2) Failure to pay all entry fees and/or related fees associated with a "turn out" and not otherwise excused pursuant to Section II-E, Rodeo

Contestant Rules, 4d, e, and f.

3) Excessively dragging a calf in any of the tie-down roping events.

4) Stock contractor providing and/or failing to tip horned cattle that cannot clear a thirty (30) inch chute.

5) Changing draw position at a rodeo.

a) Contestants shall not change their draw position at a rodeo without approval of the judge and notification of the arena director and rodeo secretary.

b) No rodeo secretary can change a drawn position and may not place a contestant other than in their drawn position, except through a bona fide trade.

6) Abusing and/or falsifying a medical, hardship or vet release.

c. Level III - The following offences shall be considered Level III offences and shall be punishable by a fine of \$250.00.

1) Misconduct:

a) Fighting, quarreling, rowdiness or being under the influence of alcohol or drugs in the arena during a performance or slack.

b) Refusing to leave the arena, after being directed to do so by the arena director or judge(s).

c) Unauthorized contact with committee members during a grievance procedure.

2) Mistreatment or abusive treatment of livestock or any animal at any time, in or out of the arena.

3) Mistreatment of officials, attempting to fix, threaten, bribe, influence, harass or speaking in a derogatory or abusive manner to officials at any time between the opening and closing dates of a rodeo, in or out of the arena. Officials include, but are not limited to: president, central entry, rodeo secretary, judges, timers, stock contractors, arena director, event directors, rodeo committees and their personnel.

4) Conduct, speech, or appearance which shall be determined by the CSPRA to be significantly detrimental to the public image, reputation, or well-being of the CSPRA or the sport of rodeo.

5) A rodeo committee failing to ensure that the roughstock contractor provide a minimum of 1 (one) bull fighter, 1 (one) pick up man, or as many as adequately needed, and an appropriate number of gate men during any roughstock event.

d. Upon unanimous agreement of the rodeo judges, a contestant may be disqualified from any rodeo for violation of these rules.

3. REPORTING PROCEDURE

Any person who witnesses any of the offences described herein may make a complaint to the CSPRA. The complaint shall be in written form. The complaint letter shall provide, in detail, the circumstances surrounding the alleged offence. The complaint letter shall be forwarded to the CSPRA office, or provided to a CSPRA official within thirty (30) days of the alleged offence.

4. INVESTIGATION PROCEDURE

a. Notice of Complaint - The Board will meet to discuss any letters of complaint. If a fine is necessary, a letter with indicated fine shall be sent to the offender, this fine must be paid within thirty (30) days. If they want to appeal the fine they must do so in written form. Once the appeal letter is received by CSPRA the grievance procedure will begin. The offender must pay the fine while the grievance procedure is in progress. If overturned the money will be reimbursed. The accused cannot enter a rodeo without paying the fine.

b. Response - The accused member may notify the CSPRA office in writing that they do not wish to contest the complaint and are willing to accept the penalty as set out in the notice OR the member may contest the complaint through the CSPRA Grievance Committee. The member's response shall be forwarded to the CSPRA office within twenty-one (21) days of receipt of the Notice of Complaint. If the accused member wishes to grieve the allegations, then the following procedure shall apply.

5. GRIEVANCE PROCEDURE

a. Written appeal - The accused member shall present a written appeal to the grievance committee. Such notice shall be forwarded to the CSPRA office within twenty-one (21) days of receipt of the Notice of Complaint.

1) The accused can request a personal appearance before the Grievance Committee.

2) The accused can request representation before the Grievance Committee by their event director or any member of the Association in good standing.

b. Unauthorized contact with committee - Under no circumstances should the accused member or the complainant have any contact with any member of the Grievance Committee in an attempt to discuss, resolve, or influence the committee member.

1) Such contact shall result in an automatic, non-appealable, Level III Offense and a fine of \$250.00.

6. HEARING PROCEDURE

a. Upon notification of how the accused wishes to proceed, the Grievance Committee Chair shall convene a meeting of the members of the Grievance Committee at a location and date mutually agreeable.

b. All of the committee's proceedings shall be recorded.

c. Upon hearing all of the information related to the complaint, the Committee shall make a finding, setting the penalty, if any, in accordance with the CSPRA rulebook. This finding shall be forwarded, in written form, to the CSPRA Board for final approval and implementation of any penalty.

d. Upon receipt of the Grievance Committee findings, the CSPRA Board shall review the findings and shall notify the accused, in writing, of the details of the findings and the penalty, if any.

1) The Board's ruling is final and the notice of findings and penalty to the accused are final and binding.

2) Any fines are to be paid within thirty (30) days, and failure to pay will result in suspension from the CSPRA.

e. The CSPRA shall make its best efforts to resolve the complaint within ninety (90) days.

D. RODEO COMMITTEE RULES

1. APPROVAL/SANCTION REQUESTS

The CSPRA requires completed rodeo approval/sanction requests and appropriate fees and documents to be filed and approved at least 45 days prior to said rodeo(s). This rule may be waived in certain situations.

a. A rodeo approval fee is required for each rodeo performance.

b. Any approved rodeo beginning after a designated time in the year will count towards the following year.

c. Performance cancellations are not permitted unless the committee chairman, stock contractor and Association officials deem it a physical impossibility to hold the performance.

d. Approved rodeos must be open to all members in good standing.

e. The CSPRA requires a minimum of \$300 added money in each of the Roughstock Riding Events and Steer Wrestling event; a minimum of \$50 added in each age category of the Tie-Down Roping, Ladies Barrel Racing, Men's and Ladies Breakaway Roping events, and \$100 added in each age category of the Team Roping and Ribbon Roping events.

1) If there is no contest in an event, the Rodeo Committee is not required to pay the added money for that event.

2) If an outside sponsor is found for a specific event, they may add money and/or prizes to that event at any individual rodeo or series of rodeos, except the Finals.

3) In a multi-go rodeo, the added money can be no less than double the minimum - \$600 in the roughstock events and steer wrestling, \$100 in each age category of Tie-Down Roping, Ladies Barrel Racing, Ladies and Men's Breakaway Roping and \$200 in each age category of the Team Roping and Ribbon Roping.

2. EVENT HOSTING OPTIONS

The CSPRA offers rodeo committees the option of hosting a "Full" Rodeo which includes all ten (10) standard events: Bareback Riding, Saddle Bronc Riding, Bull Riding, Steer Wrestling, Tie-Down Roping, Men's Breakaway Roping, Ladies Breakaway Roping, Team Roping, Ladies Barrel Racing and Ribbon Roping; or a "Timed Event Only" Rodeo or a "Roughstock Only" Rodeo.

a. A "Timed Event Only" Rodeo will consist of Tie-Down Roping, Men's Breakaway Roping, Ladies Breakaway Roping, Team Roping, Ladies Barrel Racing, Ribbon Roping and Steer Wrestling.

b. A "Roughstock Only" Rodeo will consist of one or all of the following: Bareback Riding, Saddle Bronc Riding, Bull Riding.

c. It is recommended that additional events and contract acts be included.

d. If a rodeo committee chooses to include exhibition runs, those runs must

follow the runs made by the competing contestants.

e. Committees choose their order of run for their rodeo(s).

f. All performance and slack times must be approved by the Association and agreed upon in sufficient time to be advertised in at least one issue of the official paper, and on the CSPRA website.

g. The rodeo committee has the option of charging a gate admission.

1) All contestants who show their current CSPRA card shall be granted free admission to all performances of approved rodeos.

3. RODEO COMMITTEE SECRETARY

A rodeo secretary must be indicated on the approval/sanction form and will receive the CSPRA's Rodeo Information & Duties Package prior to their rodeo.

4. TURNOUTS, TRADE OUTS AND RELEASES

Trades, turnouts, medical/vet releases, need to be done prior to the stock draw.

a. Trades and turnouts must be done at the rodeo secretary's office and prior to the stock draw.

b. A list of all draw outs and unpaid entry fees must be submitted by the rodeo secretary to the CSPRA office before reimbursements can be made.

c. All fees and **age verifications** from non-members are the responsibility of the rodeo committee. Turnout fees of non-members are payable to the CSPRA office and should not be figured in the payout.

5. STOCK

a. Timed event cattle will not be drawn any sooner than two (2) hours before each performance.

b. In the slack, the first three (3) contestants in each age category in each event must go in order, then the committee can run the rest in any order.

c. Steers cannot be held over a 12-month period for use in the steer wrestling and team roping events unless approval is granted by the appropriate event director.

d. All fresh timed-event cattle shall be run prior to the first performance of each rodeo and cattle that cannot clear a thirty-inch (30") chute will be eliminated from the draw or tipped at that particular rodeo.

1) Failure to comply with this rule shall be considered a Level II offence and will result in the stock contractor being subject to a \$100 fine.

e. At all rodeos, calves shall be tied down no later than one hour prior to the beginning of the performance or slack in which they are scheduled to be used. The Tie-Down Roping Director may approve the tying down of calves on the day prior to the performance or section of slack, but in no event may he approve the tying down of calves less than one (1) hour prior to the beginning of the performance or section of the slack in which they are scheduled to be used.

f. Realizing the unique characteristics of participants in the CSPRA, the stock contractors are responsible for providing suitable, age-appropriate, quality stock in each event. (*See, Section III-Specific Event Rodeo Rules*)

6. TIMERS, JUDGES & STOCK CONTRACTORS

The CSPRA office will maintain a list of qualified rodeo personnel, approved by the Board, which is available upon request.

a. TIMERS:

1) Timers may not be changed during a rodeo except for sickness or injury, or by the request of an Association official because of the timer's incompetence, or through agreement of the stock contractor, rodeo committee and Association official.

2) Timers must work from the same location throughout the rodeo.

b. JUDGES:

1) A rodeo judge shall not ride in one roughstock event and judge another roughstock event. But, if a timed-event judge is entered in a timed event, he can be replaced in that event by another judge.

c. STOCK CONTRACTORS:

1) Realizing the unique characteristics of participants in the CSPRA, the stock contractors are responsible for providing suitable, age-appropriate, quality stock. (See, Section III-Specific Event Rodeo Rules)

2) Stock is not to be fed in the arena during the duration of the rodeo. If the stock must be fed in the arena, the rodeo committee must have the arena worked satisfactorily and the same for all performances and slack.

3) A rodeo committee shall ensure that the roughstock contractor provide an adequate number of, or a minimum of, 1 (one) bull fighter, 1 (one) pick up man, and an appropriate number of gate men.

a) A committee's failure to have adequate bull fighters, pick-up men and gate men in the arena during a roughstock event shall be considered a Level III offence and punishable by a fine of \$250.00.

b) Judges are responsible for reporting infractions of this rule.

7. RODEO RESULTS & PRIZE MONEY

Rodeo committees/secretaries are required to submit all the timer sheets, judge sheets, correct result sheets on winners, their scores, times and dollars won within four (4) days of the final performance.

a. All rodeo secretaries must list point winners, on the worksheet provided, one through six (1st -6th) in every event if there is a time or score, whether money is paid for all six places or not.

b. No prize money will be paid out at the rodeos unless approved by Board. Monies as per the rodeo invoice and the results from the rodeo, must be sent to the CSPRA office within four (4) days of the last performance.

c. The CSPRA office will verify the results to be correct, double checking timers' and judges' sheets and then send out all contestant payouts.

1) Five percent plus GST (5.25%) of the total purse (added money and entry fees) from each sanctioned rodeo will be retained by the CSPRA.

2) If no contestants have a qualified time or score in an event, the added money will go back to the rodeo committee and the entry fees will go into the Finals payout for that event. No ground money will be paid.

8. MISCELLANEOUS DUTIES

- a. It is mandatory to have an ambulance with qualified medical personnel (EMT or higher) at all rodeo perfs and slacks. A committee may choose to charge a \$2/contestant/rodeo Ambulance Fee to help supplement this cost
- b. The rodeo committee will be responsible for the rodeo secretary's mistakes or discrepancies in any payout or in handling of entry fees if the secretary does not make the proper adjustments.
- c. Each judge, timer, announcer, stock contractor and rodeo secretary is required to have an Associate or Full Membership card prior to working any CSPRA sanctioned rodeo(s) paid for by worker or rodeo committee.
 - 1) Suggested minimum to pay judges is \$75.00, timers \$50, per perf.
- d. It is the responsibility of the rodeo committee that all their volunteer workers sign a release of liability waiver prior to their rodeo.
- e. Any events not covered by rules in the CSPRA Rulebook will be governed by local ground rules. Specific rodeo ground rules (not in conflict with the CSPRA Rulebook) must be posted in the same area where the livestock draw is posted before the contestants will be required to comply.
- f. Rodeo Committees must complete all duties and paperwork as outlined in the rodeo information package sent to the rodeo secretary.

E. CONTESTANT RULES & GENERAL RODEO INFO

1. ENTERING

Entry dates and all rodeo information will be posted on the CSPRA website.

- a. FEES: current fee amounts are listed on the CSPRA website.
 - 1) An Entry Fee will be charged to each contestant, per event, per rodeo, with the entry fee being relative to the added money.
 - a] In case no one has a qualified time or score in an event at any rodeo during the year, the contestants' entry fees less the 5% retained by CSPRA will go to the added money at the Finals in that event.
 - b] In a multi-go rodeo, the entry fees must be no less than double the minimum.
 - 2) An Event Fee will be charged to each contestant, per event, per rodeo, which will go to the rodeo committee.
 - 3) An Office Fee will be charged to each contestant, per rodeo, of which a portion will go to the rodeo committee.
 - 4) A Finals Fee, Administrative Fee, and Ambulance Fee if applicable, will be charged to each contestant, per rodeo.
 - 5) A Facility Fee will be charged to each contestant, per rodeo location, which will go to the rodeo committee.
- b. CONTESTS: two (2) or more contestants are required in an event to make a contest. No ground money will be paid if no contest in an event.
 - 1) For any distressed event(s), contestants in the age category directly above the distressed event may volunteer to enter down at time of entries. From these entries a draw will be made for one (1) contestant only to compete in the distressed event in order to make it a contest.

c. LOCALS: If committees so choose, a “local/non-member” contestant may only enter one (1) rodeo per year, NOT per location, without becoming a CSPRA member. (See, Section II – B. Membership, 4. Non-Members, d.)

d. Entry closing time may not be more than eight (8) business days prior to the first performance.

e. The CSPRA does not do any entry preferences

f. Late entries shall be allowed until noon the day following phone-in entries for a charge of \$25.00.

g. There will be a \$10.00 service charge for any credit card transaction, except for sponsorship purposes.

2. DRAWING POSITIONS

a. Positions will be drawn and posted on CSPRA website prior to callback. There will be no placing of contestants except by trade out. Any violation of this rule is considered a Level II Offence subject to a \$100.00 fine. All rodeos will have trade outs unless otherwise listed. A trade cannot be made with a medical turnout.

b. Trade outs are permissible at all qualifying rodeos by calling in to the CSPRA office with details prior to the rodeo. It is the contestant’s responsibility to arrange their trade prior to calling in to the office.

c. At all rodeos, positions will be drawn in the Steer Wrestling before the cattle draw is done regardless of the contestant’s age, as long as they are competing for the same purse. **The exception being at the Finals, where contestants will run lowest points to highest according to the order that they qualified for the finals (by season leader list).**

d. No contestant may compete on the same stock twice at any rodeo in the same event without judges’ approval.

e. All stock will be drawn and posted prior to the rodeo.

1) If the program is changed after the draw is posted, a contestant cannot be refused his stock, but must be ready to compete after notification of his/her new position in the draw. This applies to both slack and performances.

2) In case of injured stock, a re-draw will be done from that contestant down and responsibility will be on the judge to verify contestant takes proper stock.

f. Rough stock must have a branded number.

g. If a contestant is injured and unable to compete, his stock may be held until later in the go-round with the consent of both judges.

h. All contestants in partner events must compete with the person they were entered with if the partner is present at the rodeo.

3. DRAWING STOCK

a. ROUGHSTOCK RIDING EVENTS:

1) All rough stock will be drawn by number.

2) In all riding events, a complete go-round must be drawn at one time.

3) All men who have re-rides will be drawn at the same time from all re-ride stock, including turned out stock, if necessary.

4) When stock is sick or crippled, replacements will be drawn from all re-ride animals.

b. TIMED EVENTS:

1) All timed event cattle will be drawn by number.

2) Timed event cattle will not be drawn any sooner than two (2) hours before each performance or slack.

3) All cattle in the draw will be run one time before any cattle will be run twice. When, due to a split performance, this procedure becomes impossible, the draw will include cattle remaining that have been run the least number of times. Immediately after a split performance the draw will then revert to the cattle that have been run the least number of times. In case of re-runs, all cattle in the draw will be run one time before being run twice.

4) No drawn stock can be held over from one performance to the next or overnight.

c. GENERAL:

1) Once an animal is taken out of the draw he may not be returned to the draw for the duration of that rodeo.

2) During the regular season, all contractors are required to supply at least one-third (1/3) as many cattle for steer wrestling and one-half (1/2) as many cattle for roping events.

3) Realizing the unique characteristics of participants in the CSPRA, the stock contractors are responsible for providing suitable, age-appropriate, quality stock in each event.

4. DRAWING OUT/RELEASES & REFUNDS/FEES TO BE PAID

a. Draw out time without penalty is on or before callback only.

b. Contestants who draw out with MO/VI/HR/VO releases (*see below for definitions*) are responsible for office fees, admin fees, and finals fees, payable to CSPRA within two weeks and prior to next rodeo entry, or be placed on the suspended list.

c. If a Team Roper draws out after positions are drawn, the remaining partner may also draw out having only his entry & event fees returned, or he may get another partner from any of the contestants already entered in that rodeo in his age category. This also applies in the Ribbon Roping.

d. MEDICAL RELEASE (MO): If a medical release is used, it must be on Doctor's letterhead with Doctor's signature and it must be sent to the CSPRA office within five (5) days of the rodeo or it will be considered a turnout and then all fees must be paid. The CSPRA Secretary must be notified before payout is calculated if a contestant has released.

e. VISUAL INJURY RELEASE (VI): A visible injury release may be granted by the judge(s) at any rodeo and must be submitted to the rodeo secretary.

1) If, in the opinion of the judges, a contestant is unable to compete in a particular event because of injury, he may withdraw from that event, but it does not prevent him/her from competing in other entered events.

2) If a contestant is injured while competing, and cannot continue to

participate, their entry and event fees only will be refunded in any event in which he/she has not competed up to that time and in which he/she cannot compete because of the injury.

f. HARDSHIP RELEASE (HR): A contestant, and their spouse, may draw out due to an illness or death in the family. If a hardship release is used, it must be sent to the CSPRA office within five (5) days of the rodeo or it will be considered a turnout and all fees must be paid.

g. VET OUT RELEASE (VO): A veterinary release is valid in any rodeo event. A limit of three (3) vet releases can be used in one year. A contestant may not use a vet release by go-rounds only, nor may a contestant be held back on a vet release. All vet releases must be sent to the CSPRA office within five (5) days of the rodeo or it will be considered a turnout.

h. If a contestant uses a MO or VI Release, he may not compete again in the event(s) drawn out of for the remainder of rodeos at that location.

i. Abusing and/or falsifying a medical, hardship or vet release is a Level II offence subject to a \$100.00 fine and/or expulsion from the Association.

5. TURNING OUT

a. A member wishing to turn out (TO) by just being taken from the draw must do so at least three (3) hours prior to the scheduled run by notifying the Rodeo Secretary only. The contestant is still responsible for all fees and the entry fee will still be included in the payout for that rodeo.

b. If a contestant arrives at a rodeo after his event is complete, he must immediately pay all fees due to the Rodeo Secretary. This is considered a turnout and the entry fees will be included in the payout for that rodeo.

6. JUDGING & JUDGES

a. ROUGHSTOCK RIDING EVENTS:

1) Six (6) second timed ride: Ride and animal are marked separately with the ride marked according to how much the rider spurs the animal.

2) Markings in the riding events shall range from one (1) to twenty-five (25) for the rider and for each bucking animal on each side.

a) Judges must stay with the foot or side he starts with until the end of the go-round, then they will switch sides for each go-round.

b) At least one judge will carry a stop watch and flag all riding events.

3) To qualify for a marking, bareback and saddle bronc riders must have the rowels of the spurs touching the horse above the break of the shoulders (mark out) when the horse's front feet hit the ground on its initial move out of the chute. The mark out must be attempted. If there is a failure to make the mark out, a deduction of five (5) points shall be made from the total score on the side of failure, or ten (10) points if the mark out fails on both sides.

4) If a horse stalls coming out of the chute, either judge shall tell the rider to take his feet out of the horse's neck. A rider shall be disqualified for not following the judge's instructions to take his feet from the neck of the horse stalled in the chute.

5) If, in the opinion of the judges, a rider is fouled at the gate, at the

judges' discretion, a re-ride may be given.

6) If bucking stock comes in contact with the pick-up men or any horse in the arena during competition, the rider shall have the option of a re-ride if a qualified ride is made up until the point of interference.

7) If a flank breaks or comes off, the rider may have a re-ride providing the contestant made a qualified ride up to that point.

8) Contestants may pull rigging, cinch saddles and bull ropes from either side in all riding events.

9) Rider must tell judge, flank man or stock contractor if he does not want his stock touched with a hotshot. Thereafter, anyone using a hot shot on the stock is committing a Level I Offence subject to a \$25 fine.

a) However, if a rider denies use of the hot shot and the animal does not buck, no re-ride will be given.

10) Re-rides may be given only when stock fails to break, stops or fouls the rider. Any Director has the right to declare any stock unsatisfactory, and any stock so declared will be taken from the draw. Contestants shall not influence the judges by asking for a re-ride at any time.

a) If the animal fails to break, stops or fouls the rider, the rider may take the same animal back, providing the stock contractor is willing, or he may have a re-ride drawn. If the rider takes the same animal back, he must take that marking unless he is fouled.

b) If a flank comes off, the rider may have a re-ride providing the contestant has made a qualified ride up to that point.

b. TIMED EVENTS:

1) There shall be two (2) or more timers, a field judge and a barrier judge. Time is to be taken between the two flags. Times are in tenths (10^{ths}, one decimal place) with the exception of the Ladies Barrel Racing Event which will be timed to the thousandths (1000^{ths}, 3 decimals).

2) Arena conditions will determine the score. Length of the score is to be set up by the timed event director and arena director.

3) Animals used for all timed events should be inspected and objectionable ones eliminated.

4) Neck ropes must be tied with cotton string. No metal snaps or hardware shall be used on neck ropes for cattle used in any timed event. Adjustable slides shall be used on all neck ropes for timed event cattle.

5) The decision of whether or not timed event cattle are to be lined will be made by the respective event director or his duly assigned appointee. Liners are to be stationed at the same position on all contested cattle, including supplementary contesting.

6) Calves are not to be tied at any time during a run or while in the arena in both the breakaway roping and ribbon roping events.

7) A judge must be in the field on horseback during the Ribbon Roping.

c. BARRIERS AND SCORING:

1) Setting the Barrier:

a) The length of the score is to be set by the timed event director and

arena director, and subject to arena conditions. Once a score line has been set in the time events, it will not be changed at that rodeo, nor can the length of the box be changed.

b) The score is the distance from the barrier to score line. Length of score will be determined by measuring from the score line to the ground directly under the pin with the pin in the barrier ring. Don't measure to the gate because of differences in the way gates close. (See, FIGURE 2)

Figure 1

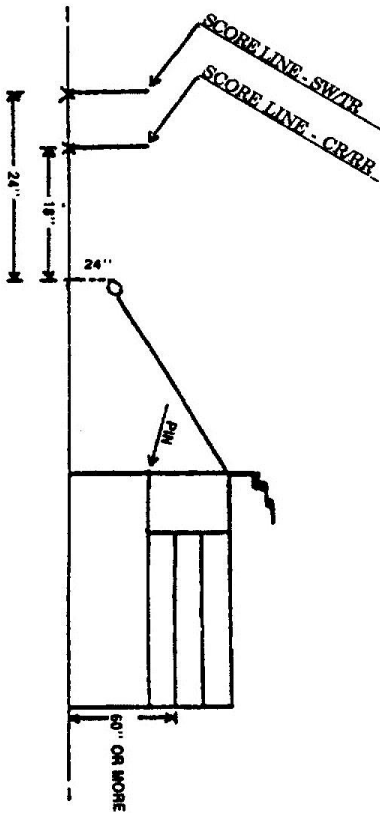
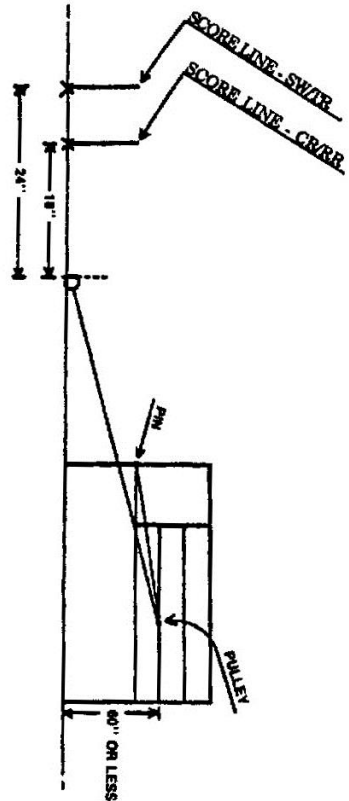


Figure 2



c) Overhead Pull: when the rope pulls from the top of the chute or any point sixty (60) inches or higher from the ground.

1] Steer Events: With flag up and pin in place, the end of the neck rope (with the loop attached) should come to a point twenty-four inches (24") short of the score line and twenty-four inches (24") inches up from the ground. (See, FIGURE 1)

- 2]** Calf Events: With flag up and pin in place, the end of the neck rope (with the loop attached) should come to a point eighteen inches (18") short of the score line and twenty-four inches (24") inches up from the ground. (See, FIGURE 1)
- d]** Side Pull: Whenever pulley side is less than sixty (60) inches above the ground.
- 1]** Steer Events: with the flag up and the pin in place, the end of the neck rope (with the loop attached) should come to a point twenty-four inches (24") short of the score line. (See, FIGURE 2)
- 2]** Calf Events: with the flag up and the pin in place, the end of the neck rope (with the loop attached) should come to a point eighteen inches (18") short of the score line. (See, FIGURE 2)
- e]** Adjusting length of the barrier rope will be accomplished only by tying knots in the rope at the other end.
- f]** The barrier judge shall keep a record of the length of the barrier trip rope in each performance to assure the same start for contestants in each performance.
- 2) Judging the Barrier:**
- a]** The barrier judge must stand where he can clearly see the pin, rope and contestant. In tie-down roping, the barrier judge must stand on the right-side of the calf roping box.
- b]** If a barrier flag man is used, the animal is to be flagged when crossing, starting or deadline, in front of the flag with same.
- c]** A ten (10) foot tape must be on hand for the barrier judge to measure a broken barrier when ten (10) foot barrier rule applies.
- 1]** Ten (10) foot barrier rule: If the pigtail lands over ten (10) feet from the bottom of the post, at the pin side, it is not a broken barrier.
- d]** The barrier judge is responsible for changing the barrier string whenever it may have weakened, or on the request of the next contestant.
- e]** A ten (10) second penalty will be added for breaking and/or beating the barrier. Broken barriers will be recorded by the barrier judge and turned in with his books to the Rodeo Secretary.
- f]** In order for time to be considered official, the barrier flag must operate.
- g]** If the automatic barrier fails to work and official time has not started, the contestant or team will get stock back if stock is qualified on in the field.
- h]** If in the opinion of the line judge, the contestant is fouled by the barrier, the contestant shall get his calf or steer back (with all penalties assessed), providing the contestant declares himself by pulling up immediately.
- i]** Field flagger shall place himself on the left-hand side of the roping box. In tie-down roping, the flagger should be at the end of the arena and position himself on the left-hand side.

j) In any timed event, if an animal escapes from the arena, the flag will be dropped and official time watches stopped. The contestant will get the animal back with a lap and tap start, plus any penalties, and that time will be added to the time elapsed prior to the animal's escape to reach a qualifying time.

1) If a rope is on the animal, the roper will get the animal lap and tap with the rope on it in the chute.

3) General Barrier Info:

a) An automatic barrier will be used in all timed events whenever possible.

b) Barrier equipment must be inspected before each timed event. If equipment is faulty, it must be replaced. Should the barrier break at any point other than the designated breaking point, the contestant must take the stock over.

1) If the automatic barrier does not work, but time is recorded, the contestant(s) will get his time and there will be no penalty for a broken barrier providing the judge rules that the barrier was not beaten.

d. POSTING MARKINGS AND TIMES:

1) Markings must be totaled by the judges and checked by the secretary in the presence of the judges. No changes may be made after the sheets have been turned into the Rodeo Secretary, unless errors are found at the Association office.

2) Judges shall make exact copies of each judges' sheet and post the copies on the bulletin board at the end of each performance.

3) Markings and times must be announced during each event during each performance and slack, announced times/scores are not official.

e. GENERAL:

1) Judges, timers and flagmen must be experienced and knowledgeable. If objections are expressed in writing to any event director against a judge at any rodeo, that judge's action will be evaluated and the determination for further action will be made by the Board.

2) A rodeo judge shall not ride in one event and judge another riding event. If a timed event judge is entered in a timed event, he is to be replaced in that event by another judge.

3) The decision of judges, flagmen or timers will be final and no protests by contestants will be permitted.

a) Contestants may not talk to a judge or timer in a derogatory manner while an event is going on. Any detailed questions may be addressed to the judge no sooner than at the end of the event for that performance.

4) Contestants must compete on the stock drawn for them.

5) No re-runs will be given for personal equipment failure or related responsibilities of a rider.

6) Animals for all events will be inspected before the draw, and no sore,

lame, sick or injured animal, or animals with defective eyesight, shall be permitted in the draw at any time.

a) Should an animal become sick, crippled or injured between the time it is drawn and the time it is scheduled to be used in competition, that animal shall not be used and another animal shall be drawn for the contestant.

7) During any performance, if an animal in the timed events escapes the chutes or pens before it is called for by the contestant, or if the automatic barrier fails to work and stock is brought back, that animal will be returned by the arena director and labor crew during, or at the end of, the performance in the same manner he was originally worked or brought to the pens before contesting.

8) Any judge who does not enforce the rules of the CSPRA rulebook will be fined and/or declared ineligible.

9) All contestants are required to make an honest effort. Failure to do so is a Level I offence and shall result in a twenty-five (\$25.00) dollar fine, to be imposed by the judge(s).

7. POINT AWARD SYSTEM

a. The Association's point system has been established for the purpose of determining eligibility of contestants for the CSPRA Finals and eligibility for Season Leader and High Point (All-Around) awards at year end.

b. Points in each event will be awarded to the top six places with a qualified time, whether or not prize money is awarded in all six places.

c. Season Leader awards will be presented at the Finals to the individual with the most points accumulated in each age group of each event.

d. All-Around (High-Point) Awards will be presented at the Finals to both the man and woman with the most points accumulated during the regular rodeo season. Must be entered in a minimum of two (2) or more events with a maximum of three (3) events counting towards All-Around Award.

1) If entered in more than three (3) events, the contestants' top three (3) events at year end will be used for the All-Around point calculation.

2) 60+ contestants can only accumulate All-Around points in two (2) of the three (3) calf roping events (60+ Tie Down Roping, 68+ Tie Down Roping, Men's Breakaway Roping), and must designate before their first rodeo of the year which two (2) calf roping events they wish to count toward the All-Around (High-Point) Award.

e. If a contestant is entered in a rodeo and his/her event or the entire rodeo is cancelled at the discretion of the rodeo committee, the cancelled event or rodeo will count towards the contestant(s) qualifying at the Finals. They will receive one (1) point for each event in which they were entered.

f. Bonus points are awarded based on the number of contestants who actually competed in an event. One (1) bonus point is awarded to each placing contestant (1st - 6th) for each contestant who actually competed in that event.

to the contestant's appropriate age category.

k. The age in roughstock riding events is 35 years of age and over, with the points for contestants 35-39 counting in the CSPRA only, not in NSPRA.

8. PAYOFF FORMULA

1-2 competitors/teams	1 money	100%
3-5 competitors/teams	2 monies	60, 40%
6-8 competitors/teams	3 monies	50, 30, 20%
9-17 competitors/teams	4 monies	40, 30, 20, 10%
18-24 competitors/teams	5 monies	30, 25, 20, 15, 10%
25-49 competitors/teams	6 monies	29, 24, 19, 14, 9, 5%
50+ competitors/teams	8 monies	26, 21, 17, 13, 10, 6, 4, 3%

a. In the payoff formula, a team is considered one entry. (Example: so 4 teams split 2 monies, not 8 competitors splitting 3 monies)

b. When there are two go-rounds and an average, the money is divided equality three (3) ways, and payoffs are based on the formula according to the number of entries. The same number is paid in the average as in each go. Four (4) places are paid in the short go.

c. When there is a short go, 40% goes to a long go(s), 10% to a short go and 50% to the average. The Average pays the same number of places as the long go. Examples: Six (6) places in long go - four (4) places in short go, and six (6) place in the average.

d. On three head of stock, the average will be one-and-one-half (1-1/2) times the go-round money.

e. A contestant must compete on every head of stock drawn for him in an event to place in the average.

f. If only one contestant qualifies, it is winner take all.

g. In a case where no contestant has a qualified time or score in an event, the Committee does not have to pay any added money for that event. No ground money will be paid.

SECTION III - SPECIFIC RODEO EVENT RULES

A. BAREBACK RIDING RULES

1. AGE CATEGORIES

Age categories in the Bareback Riding Event are 35 to 49 and 50+.

2. ONE HAND RIGGING

a. The rigging is not to be over ten (10) inches wide at the handhold and not over six (6) inches wide at the D-ring. The cinch must be five (5) inches minimum width.

b. Pads must be used, and must be at least one (1) inch thick under the rigging, covering the bars and must extend at least one (1) inch behind the rigging.

c. Cinch must not be pulled with the hand in the rigging.

3. TO QUALIFY

a. The contestant must make a six (6) second timed ride. Time starts when the horse's front feet hit the ground on the first jump out of the chute. To qualify, one arm must be free at all times.

b. For general roughstock spur-out rules, *See* Section II-E (Rodeo Contestant Rules, No. 6[a][1-5] Judging & Judges - Riding Events).

c. For general roughstock re-ride rules, *See* Section II-E (Rodeo Contestant Rules, No. 6[a][10a-b] Judging & Judges - Riding Events - Re-Rides).

d. A rodeo committee shall ensure that the roughstock contractor provide a minimum of 1 (one) pickup man, or as many as adequately needed, and an appropriate number of gate men during a roughstock event. Failure to do so shall be considered a Level III offence punishable by a fine of \$250.00.

4. DISQUALIFICATION

a. Bucking off.

b. Spur rowels too sharp or locked rowels (judges' opinion).

c. Touching animal, self or equipment with free hand or arm.

d. All contestants and contractors may call on judges or any directors to clarify any rule or uncovered situation.

B. SADDLE BRONC RIDING RULES

1. AGE CATEGORIES

Age categories in the Saddle Bronc Riding Event are 35 to 49 and 50+.

2. CONTEST SADDLE SPECIFICATIONS

a. Rigging: $\frac{3}{4}$ double front edge of D-ring must not fall further back than directly below the center of the point of the swell. Standard E-Z or ring type saddle dee must be used and cannot exceed five and three quarter ($5\frac{3}{4}$) inches outside width measurement.

b. Swell Undercut: Not more than two (2) inches, one inch on each side.

c. Gullett: Not less than four (4) inches wide at center of the fork of covered saddle.

d. Tree: Saddle must be built on a standard tree.

e. Saddle Specifications:

1) Fork shall be fourteen (14) inches maximum width.

- 2) Stirrup leathers must be hung over the bars.
- 3) Saddle should conform to the measurements with a reasonable added thickness for leather covering. No freaks allowed.
- 4) Front cinch on bronc saddles shall be cotton and shall be at least five (5) inches wide.

f. Halters/Reins:

- 1) Appropriate halters must be used unless agreement is made by both contestant and stock contractor.
- 2) Riding rein and hand must be on the same side.

g. Flanks:

- 1) Middle flanks belong behind the break/curve of horse's belly.
- 2) Flank cinch may be hobbled.

3. TO QUALIFY

a. The contestant must make a six (6) second timed ride. Time starts when the horse's front feet hit the ground on the first jump out of the chute. To qualify, one arm must be free at all times.

b. Riding is to be done with a plain halter, one rope-rein and saddle that complies with Association specifications.

c. Horses are to be saddled in the chute. Rider may cinch his own saddle.

d. Saddles shall not be set too far ahead of the horses' withers.

e. The judges will examine clothing, saddle, rein and spurs.

- 1) Either stock contractor or the contestant has the right to call the judge(s) to pass on whether or not the horse is properly saddled and flanked to buck its best.

f. For general roughstock spur-out rules, *See* Section II-E (Rodeo Contestant Rules, No.6[a][1-5] Judging & Judges - Riding Events).

g. For general roughstock re-ride rules, *See* Section II-E (Rodeo Contestant Rules, No.6[a][10a-b] Judging & Judges - Riding Events - Re-Rides).

- 1) If in the opinion of the judges, a saddle bronc deliberately throws himself, the rider shall have the choice of that horse again, or he may have a horse drawn for him from the re-ride horses.

- 2) If the contestant uses a stock contractor's halter and it breaks, the contestant will be awarded a re-ride provided the contestant has made a qualified ride up until the halter comes off.

h. A rodeo committee shall ensure that the roughstock contractor provide a minimum of one (1) pickup man, or as many as adequately needed, and an appropriate number of gate men during a roughstock event. Failure to do so shall be considered a Level III offence punishable by a fine of \$250.00.

4. DISQUALIFICATION

a. Bucking off.

b. Spur rowels too sharp or locked rowels (judges' opinion).

c. Touching animal, self or equipment with free hand or arm.

d. Changing hands on the rein.

e. Wrapping rein around the hand.

f. Pulling leather.

- g.** Losing a stirrup.
- h.** Dry resin may be used on chaps and saddle. Anyone using any other foreign substance shall be disqualified and subject to fine.
- i.** All contestants and contractors may call on judges or any directors to clarify any rule or uncovered situation.

C. BULL RIDING RULES

1. AGE CATEGORIES

Age categories in the Bull Riding Event are 35 to 49 and 50+.

2. TO QUALIFY

a. The contestant must make a six (6) second timed ride. Time starts when the animal leaves the chute and will stop when the rider bucks off or is disqualified. To qualify, one arm must be free at all times.

b. Riding is to be done with one hand and a loose rope, with or without a handhold, and no knots or hitches to prevent the rope from falling off the bull when the rider leaves him.

c. The rope must have a bell. The bell must be under the belly of the bull.

d. Contestants have the right to call judges to pass on whether or not a bull is properly flanked to buck to the best of his ability.

e. All animals will be screened and agreed on before they are put into the draw.

1) Head fighting bulls or those having bad horns will be taken out of the draw. All bulls horns will be tipped reasonably and dulled to the size of a half dollar.

f. No more than two (2) men may be on chute to pull a contestant's rope.

g. No hotshot will be used on the bull after the rider sits down on him unless the rider requests such.

h. If the rider makes a qualified ride with any part of the rope in his riding hand, he has to be marked.

i. For general roughstock re-ride rules, *See* Section II-E (Rodeo Contestant Rules, No. 6[a][10a-b] Judging & Judges - Riding Events - Re-Rides).

1) Riders who are knocked off or fouled at the chute or if the animal falls, will be entitled to a re-ride at the discretion of the judges.

j. A rodeo committee shall ensure that the roughstock contractor provide a minimum of one (1) bull fighter and one (1) pick up man, or as many as adequately needed, and an appropriate number of gate men during a roughstock event. Failure to do so shall be considered a Level III offence punishable by a fine of \$250.00.

3. DISQUALIFICATION

a. Bucking off.

b. Spur rowels too sharp or locked rowels (judges' opinion).

c. Touching animal, self or equipment with free hand or arm.

D. STEER WRESTLING RULES

1. AGE CATEGORIES

Age categories in the Steer Wrestling Event are 40 to 49 and 50+.

2. CATTLE

- a.** All stock must be Corriente or Longhorn. Stock at each rodeo will be of the same breed and type.
- b.** Cattle used for steer roping, cutting or other events will not be used for steer wrestling.
- c.** Steers cannot be held over from one year to the next for use in steer wrestling, except by approval of the Steer Wrestling Director.
- d.** All steers used in the steer wrestling event must have horns tipped.
- e.** Contestants will not be required to compete on a crippled steer, or one with a broken horn. If the contestant jumps at the steer, he accepts him as sound.
- f.** Weight Limit: Steers must be a minimum of 450 pounds and a maximum of 750 pounds per head. At televised rodeos, steer wrestling steers must weigh at least 500 pounds each.
- g.** All stock contractors must supply at least one-third (1/3) as many steers as there are steer wrestlers.
- h.** Fresh steers not thrown down during competition must be bulldogged from horseback and thrown down after completion of the go-round. It is the responsibility of the steer wrestlers to throw the cattle at a time mutually agreed upon with the stock contractor and under the supervision of the Event Director.

3. HAZER

- a.** Contestants must supply their own hazer. The hazer need not be a full CSPRA member but must be at least 40 years of age and have an associate membership. Only one hazer is allowed.
- b.** The hazer must not render any assistance to the contestant while the contestant is working with the steer. Failure to observe this rule will disqualify the contestant.
- c.** The contestant and the hazer must use the same two horses they leave the chute with. The hazer will be disqualified for jumping at the steer.

4. TO QUALIFY

- a.** The animal belongs to the contestant when he calls for him regardless of whatever happens, except in cases of mechanical failure. The steer must be caught from the horse.
- b.** If a steer gets loose, the steer wrestler may take no more than one (1) step to catch the steer.
- c.** After catching the steer, the wrestler must change directions or bring the steer to a stop and twist down.
- d.** If the steer is accidently knocked down or thrown by the wrestler putting the animal's horns into the ground, it must be let up on all four feet and then thrown.
- e.** The steer will be considered down only when it is lying flat on its side,

or on its back with all four feet and head straight. Wrestler must have his hand on the steer when flagged.

f. The fairness of the catch and throw will be left to the judges, and their decision shall be final.

1) The contestant will be disqualified if he attempts in any way to tamper with the steers or the chutes.

5. BARRIERS AND SCORING

For general timed event barrier and scoring rules, *See* Section II-E (Rodeo Contestant Rules, No. 6[c] Judging & Judges - Barriers and Scoring).

a. The steer wrestling chute must have at least thirty (30) inches clearance inside the chute and at the gate when in an open position.

b. In steer wrestling, the score may be no longer than the length of the steer wrestling box minus six (6) feet unless other arrangements are approved by the Steer Wrestling Director.

1) Length of the box is to be measured from the center of the back of the box to the center of the barrier.

c. When a barrier is used in steer wrestling, an automatic barrier must be used and there must be at least a twelve (12) foot box. If the box is shorter, the steer wrestling event must be lap and tap.

d. A ten (10) second penalty shall be assessed in any case in which the flag judge rules that a steer wrestler's feet touch the ground before the flag line is crossed.

e. Anyone jumping from the off side in the steer wrestling must notify the secretary when entering, and if possible, the barrier should be arranged on the offside for such contestants.

E. TIE-DOWN ROPING RULES

1. AGE CATEGORIES

Age categories in the Tie-Down Roping are 40 to 49, 50 to 59, 60+ and 68+.

a. Contestants 68 years of age and over may compete in all three calf roping events (60+ Tie Down Roping, 68+ Tie-Down Roping, and Men's Breakaway Roping), but must declare at the start of the rodeo year which two (2) of those three (3) events they wish to count towards All-Around points.

b. In the 68+ Tie-Down Roping event, contestants aged 72-74 in the calendar year will receive a one (1) second time advantage, 75-77 will receive a two (2) second time advantage, and 78 and older will receive a three (3) second time advantage. This time advantage will be deducted from their total time on each run and marked on the judge's sheets.

2. CATTLE

a. Calves shall not weigh more than 250 pounds.

1) Weight not to exceed 200 pounds in the 60+ and the 68+ tie-down roping events.

2) There shall be no mixing of breeds in an event.

c. Any deviation from the above rules must be approved by the Tie-Down

Roping Director or a Level II fine of \$100 will be assessed.

d. All stock contractors must supply at least one-half (1/2) as many calves as are required for each age category.

3. TO QUALIFY

a. The rope must be tied hard and fast. The contestant must rope the calf, dismount, go down the rope and throw the calf by hand and cross and tie any three (3) feet.

1) The catch-as-catch can rule shall apply.

2) Roping the calf without releasing the loop from the roper's hand is not permitted.

3) The contestant must adjust the rope and reins in a manner that will prevent the horse from dragging the calf.

a) If the horse drags the calf excessively the field judge may stop the horse. The field or flag judge or any CSPRA Director may declare a Level II Offence and assess the roper a \$100.00 fine.

4) To qualify as a legal tie there should be at least one (1) wrap around any three (3) legs (or any three (3) legs must be tied together) and secured with a half-hitch. [Example: One wrap around two (2) legs, third (3rd) leg wrapped to one or both of the first two (2)].

5) The animal belongs to the contestant when he calls for him, regardless of what happens except cases of mechanical failure.

b. If the calf is down when the roper reaches it, the calf must be let up to his feet and be thrown by hand.

1) Exception: in the 60+ and 68+ tie-down roping events, contestants may tie the calf without re-throwing it.

2) If the roper's hand is on the calf when the calf falls, the calf is considered thrown by hand.

c. The rope must hold the calf until the roper gets his hand on the calf. The tie must hold and three (3) legs must remain crossed until passed on by the judge, and the roper must not touch the tie after giving the finished signal until after the judge has completed his examination.

1) The field judge must watch the calf until the roper fully remounts his horse and will pass on the tie of the calf providing three (3) legs remain crossed and tied until the roper has remounted his horse.

2) The rope will not be removed from the calf until the roper has fully remounted his horse.

3) If the calf does not kick free during the time to remount, it will be a qualified time.

a) Fully remounting horse means legs straddling the horse and seat in the saddle.

4) Exception: in the 68+ tie-down roping event, the time will become official when the calf is tied and the cowboy takes one (1) step towards his horse.

d. In the event a contestant's catch rope is off the calf, after completion of a proper tie, the time will become official when the roper clears the calf.

- e. The roper will be disqualified for removing the rope from the calf after signaling for time until the tie has been passed on by the field judge.
- f. If the tie comes loose, or the calf gets to his feet before the tie has been ruled a fair one, the roper will be marked a no time.
- g. The contestant must receive no assistance of any kind from outside.
 - 1) Exception: If a tie-down roper is injured before remounting, someone else may mount the horse and ride up to provide slack in the rope.

4. BARRIERS AND SCORING

For general timed event barrier and scoring rules, *See* Section II-E (Rodeo Contestant Rules, No. 6[c] Judging & Judges - Barriers and Scoring).

- a. An automatic barrier must be used at all rodeos for tie-down roping, if possible.
- b. The minimum length of the score is the length of the roping box minus four (4) feet.
- c. The maximum length of score when an automatic barrier is used, will be eighteen (18) feet.
- d. All score lengths are subject to the Tie Down Roping Director(s) and one or more judge's approval.
- e. The field flagger should be at the end of the arena and position himself on the left-hand side.

F. LADIES & MEN'S BREAKAWAY ROPING RULES

1. AGE CATEGORIES

- a. Ladies Breakaway Roping age category is 40+.
- b. Men's Breakaway Roping age category is 65+.
 - 1) Contestants 68 and over may compete in all three calf roping events (60+ Tie Down, 68+ Tie-Down, and Men's Breakaway Roping), but must declare at the start of the rodeo year which two (2) of those three (3) events they wish to count towards All-Around points.

2. CATTLE

- a. Calves should not have horns longer than three inches (3").
- b. The stock shall be as uniform and consistent as possible when sorting calves between the two breakaway events.
- c. All stock contractors must supply at least one-half (1/2) as many calves as there are total Ladies & Men's Breakaway ropers combined.
 - 1) Available stock may be split to provide one-half (1/2) enough calves for each breakaway roping event.
- d. Calves are not to be tied at any time during the run or while in arena.

3. TO QUALIFY

- a. The contestant must rope the calf from horseback.
 - 1) Legal Catches: The catch-as-catch can rule shall apply after the loop has passed over the calf's head. The catch is legal if the loop passes over the calf's head and pulls tight anywhere behind the ears on the body of the calf sufficient to break the rope away from the saddle horn. No loop may be rebuilt.

b. The rope must be attached to the saddle horn with provided string in such a manner as to allow the rope to be released from the horn when the calf hits the end of the rope. This will be the contestant's responsibility.

1) Ribbon(s) or a large material flag visible to the flag judge must be attached to the end of the rope at the saddle horn so the judge can tell when the rope breaks from the horn.

c. The rope must be tied to the horn with nylon string and may not be run through the bridle, tie down, neck rope or any other device.

1) Nylon string will be provided and will be inspected by the barrier judge before each contestant competes.

2) The barrier judge may request the rope be retied before permitting contestant to compete.

d. The rope must be released from the contestant's hand to be a legal catch.

4. BARRIERS AND SCORING

For general timed event barrier and scoring rules, *See* Section II-E (Rodeo Contestant Rules, No. 6[c] Judging & Judges - Barriers and Scoring).

a. Time is taken when the flag leaves the saddle horn as the string breaks.

b. The field flag man should be positioned down the arena from the timed event chute on the side of the roper from which the rope is fed so the flag is clearly visible when the rope breaks away.

c. Roper breaking the string from the horn is grounds for disqualification.

G. TEAM ROPING RULES

1. AGE CATEGORIES

Age categories in the Team Roping event are 40 to 49, 50 to 59, and 60+.

a. Male heelers age fifty (50) and over can tie-on in any age category.

b. Female heelers of any age can tie-on in any age category.

c. A contestant may drop in age category if his partner is in a lower age group, but a contestant cannot go up. No team, if both are in the same age group, may compete in any category other than their age specifies.

1) Points won in more than one age category cannot be combined.

2. CATTLE

a. All stock contractors must supply at least one-half (1/2) as many animals as are required for each age category.

b. The maximum weight for the animals is 700 pounds per head, unless otherwise approved by the Team Roping Director or his representative.

3. TO QUALIFY

a. Each member of the team is allowed to carry only one rope.

b. Each team is allowed two throws, one (1) from the header and one (1) from the heeler.

1) The team roper behind the barrier must throw the first loop at the head of the steer.

2) The steer must be standing up when roped by head or heels.

3) If the steer is roped by one horn, the roper is not allowed to ride up and put the rope over the other horn with his hand.

4) If the heeler ropes a steers' front foot or feet in the heel loop, this is a foul catch. However, should the front foot or feet come out of the heel loop by the time the field judge drops his flag, then time will be counted.

5) A dropped rope or recoiled rope shall be considered a thrown rope.

6) It is recommended that any heeler tying hard and fast use a mechanical quick release device attached to the saddle horn.

c. Points in team roping will be kept separate in both categories of heading and heeling.

4. BARRIERS AND SCORING

For general timed event barrier and scoring rules, *See* Section II-E (Rodeo Contestant Rules, No. 6[c] Judging & Judges - Barriers and Scoring).

a. The field flagger shall place himself on the left-hand side of roping box.

b. Time will be taken when the steer is roped and both horses are facing the steer in line with ropes dallied and tight. The horses' front feet must be on the ground and the ropers must be mounted when time is taken.

c. If in the opinion of the field flagger, a heel loop is thrown before the header has dallied and changed direction of the steer, it shall be deemed a Crossfire and the team shall be disqualified.

d. Any questions as to catches in the contest will be decided by the judges.

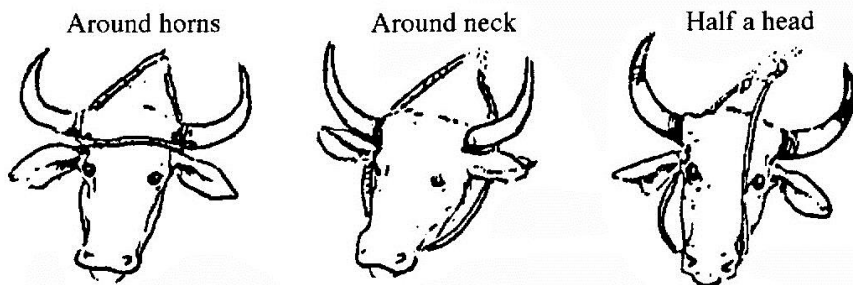
1) Legal Head Catches (*See*, Figure 3)

a] Around both horns

b] Around the neck

c] Half a head

Figure 3



2) Illegal Head Catches

a] A hondo over the horn is a no time.

b] If the head loop crosses itself it is a no time.

c] A rope in the steer's mouth is a no time.

d] A steers' leg or legs in the head loop is a no time.

3) Legal Heel Catches

a] Any catch behind both shoulders if the rope goes up the heels.

b] If the heeler catches only one hind foot, the team will receive a five (5) second time penalty.

5. DISQUALIFICATION

- a.** A broken rope or loss of rope will be considered a no time.
- b.** A horses' foot in any loop at any time during the run it is a no time.
- c.** The steer shall be handled humanely at all times, and the team will be disqualified if in the opinion of the judge, they have not done so.
- d.** It is illegal to dally over top of a tie-on device or rope, also if the tied-on rope should become detached during the run the team will be disqualified.
- e.** In a multi-go rodeo, if a partner draws out for any reason after competing once, the team is disqualified.
- f.** A team roper may enter open, but if he does not have a partner when positions are drawn, he will be drawn out.
 - 1)** As a courtesy, the CSPRA office will maintain a list, on the website, of those needing a partner at each rodeo.

H. RIBBON ROPING RULES

1. AGE CATEGORIES

Age categories in the Ribbon Roping event are 40 to 49, 50 to 59, and 60+.

- a.** A contestant may drop in age category if his partner is in a lower age group, but a contestant cannot go up. No team, if both are in the same age group, may compete in any category other than their age specifies.

1) Points won in more than one age category cannot be accumulated.

2. CATTLE

- a.** All stock contractors must supply at least one-half (1/2) as many calves as are required for each age category.
- b.** Ribbon Roping calves are to weigh no more than 250 pounds. Any deviation from the above rule must be approved by the Ribbon Roping Director or a Level II fine of \$100 will be assessed.
- c.** Calves are not to be tied at any time during the run or while in the arena.

3. TO QUALIFY

- a.** The roper must rope the calf, dismount, go down the rope and touch the calf. The runner must then remove the ribbon from the calf's tail and bring it back across the score line in front of the barrier (flag) judge. Time is taken when the runner crosses the score line.
- b.** The calf will come from the calf roping box.
- c.** The rope must be tied hard and fast. Only one loop is allowed. The catch-as-catch can rule shall apply.
- d.** The ribbon shall be placed no more than six (6) inches below the tail head and attached with a #16 rubber band. The ribbon is to measure no more than one (1) inch by twelve (12) inches.
 - 1)** It is the responsibility of the line judge to see that the ribbon is on the calf while it is in the chute.
- e.** The roper must have or had have contact with the calf before the runner can have any contact with the calf, the rope, the horse, or the ribbon.
- f.** If the ribbon comes off the calf before the runner touches the animal or the rope causes the ribbon to come off, the team will be entitled to a rerun

(with all penalties assessed) if a qualified run was otherwise made.

g. Runner and roper may compete only once at each rodeo.

h. Wearing apparel for Runners must include a long-sleeved shirt collared and cuffed with snaps or buttons. Runners are not required to wear western boots, but must use some type of footwear. Runners are not required to wear a western hat, but if any head gear is worn it must be a western cowboy hat.

4. BARRIERS AND SCORING

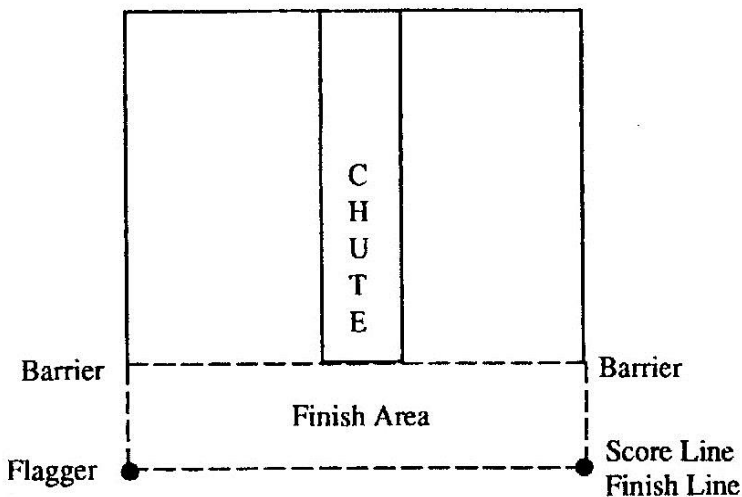
For general timed-event barrier and scoring rules, *See* Section II-E (Rodeo Contestant Rules, No. 6[c] Judging & Judges - Barriers and Scoring).

a. The barrier (flag) judge will stand on the score line and flag the runner on her return. The Runner will end her run by crossing the finish line in front of the flag judge with the ribbon in hand. (*See* Figure 4)

1) If the ribbon is removed within the finish area, the runner will cross the finish line in front of the flag judge from the opposite direction, with ribbon in hand.

b. There must be a judge on horseback in the field during the Ribbon Roping event.

Figure 4



5. DISQUALIFICATION

a. If the runner has any contact with the calf, horse or the roper, or touches the ribbon prior to the roper touching the calf, the team will be disqualified.

b. A ribbon roper or runner may enter open, but if he/she does not have a partner when positions are drawn, they will be drawn out.

1) As a courtesy, the CSPRA office will maintain a list, on the website, of those needing a partner at each rodeo.

I. BARREL RACING RULES

1. AGE CATEGORIES

Age categories in the Barrel Racing event are 40 to 49, 50 to 59, 60+ and 68+.

2. BARREL PATTERN

a. A standard course should be used whenever possible.

b. The standard measurements and maximum distances for the barrel race are: (See, Figure 5)

1) Ninety (90) feet between barrels 1 and 2.

2) One-hundred-five (105) feet between barrels 1 and 3 and between barrels 2 and 3.

3) Sixty (60) feet from barrels 1 and 2 to score line.

4) Forty-five (45) feet (minimum) from score line to end of arena.

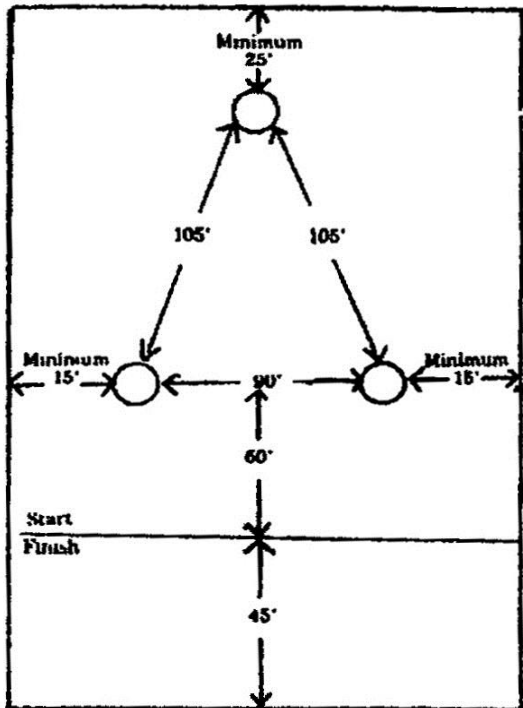
5) In small arenas, barrels 1 and 2 shall be no closer than fifteen (15) feet from each side of the arena.

6) In narrow arenas, the third barrel should be at least fifteen (15) feet longer than the distance between the second and third barrel.

7) In small arenas, barrel 3 should be no closer than twenty-five (25) feet from the back end of the arena.

8) In small arenas, the barrel pattern should be reduced proportionately to the standard pattern.

Figure 5



c. The start and finish lines and positions for the barrels must be measured and marked permanently for the entire rodeo. When an electric eye is used the positions for eyes must also be marked permanently.

d. The contestant will be allowed to run in and out of the arena if the local committee, the Barrel Racing Director and the Arena Director agree that it is not unsafe for the contestants and spectators. If conditions are found to be unsafe for a run out, the exit gate will be closed until after the finish of each barrel racer's run.

3. MARKING THE BARREL PATTERN

a. Barrel racers will be responsible for measuring and marking the pattern.

b. Measurements and the position of the barrel markers and the start/finish line, and the eyes must be written and recorded with the rodeo secretary and the judge. A third copy will be posted by the barrel race draw. Copies will be signed by the persons responsible for marking the pattern.

c. Barrels shall be marked using measuring tapes at least one-hundred-fifty (150) feet in length. To ensure an accurate measure to barrel 3 from barrel 1 and 2, two tapes should be used - one measuring the distance from barrel 1 to 3 and the other from barrel 2 to 3. The point at which the two tapes meet at the same measurement is the mark for barrel 3. If only one tape is available, an arc must be made from barrel 1 and barrel 2 to barrel 3. Where the arc crosses is where the third barrel must be placed.

d. The score line must be accurately measured back and forth from barrels 1 and 2.

e. The distance from the third barrel to the back end of the arena and the distance from the score line to the opposite end of the arena should be measured to assure that the pattern meets minimum requirements.

f. Once all distances have been measured, permanent markers should be buried for the three barrels, the score line, and the eyes. Flags or bright paint are to be put on the fences or posts in direct line with the score line.

4. GROUND CONDITIONS

a. The ground conditions will be worked to assure a fair advantage for each barrel racer whether in slack or performance.

b. Raking of barrel pattern/arena will occur as directed by the Barrel Racing Director and consistently throughout the program and after the designated runs in the program, and NOT by actual runs on the ground.

c. No more than six (6) barrel racers should be in each age category in any performance if rodeo is run with a slack.

d. The Barrel Racing Director or representative will cooperate with the judge(s) and the arena director to see that raking around the barrels does not interfere with the flow of the rodeo performance.

e. Stock shall not be fed or watered within twenty-five (25) feet of the permanent barrel markers.

f. The ground around the barrels must be worked with a tractor, if one is available, immediately before the barrel race and after the requisite number of contestants have competed in a performance or slack.

5. ELECTRIC TIMERS

- a. An electric timer is the preferred timer. Electric-eye times are to be recorded in thousandths, and payoffs will be determined by thousandths.
- b. Electric timers must be backed up by a flagger and two (2) hand watches. Hand times should be recorded in **hundredths (2 decimal places)**.
- c. In the event an electric timer is not available, two (2) hand watches should be averaged and the times recorded in **hundredths**. In this event the payoff would be determined by **hundredths**.
- d. If the electric timer fails on less than 50% of the competing contestants, back-up times will be used for those contestants whose time was missed.
- e. If the electric timer fails on 50% or more of the competing contestants, manual times in tenths for all contestants must be used to determine the payoff.
- f. If the electric timer fails to work, even during the first performance, every attempt should be made to use the timer for the remaining performances unless more than 50% of the total contestants have already received a hand time.

6. RE-RUNS

- a. If for any reason the barrels were not placed on the permanent markers or the flag man was not in the correct place, all contestants who ran on the incorrect course must be re-run with no penalties assessed.
- b. Judges must make the decision that the barrels were not on the markers. Should this happen, the contestants and the Barrel Racing Director or spokesperson will set the time for the re-run.
- c. There shall be no re-runs given if a horse falls while running the pattern.
- d. No re-runs shall be given for equipment failure.
- e. If for some reason a re-run is given, the judge must make the decision. The re-run will be made after conferring with the contestant and the Barrel Racing Director, but must be made no later than the end of the performance or slack in which the contestant was in. A contestant cannot be held until a later performance.

7. MISCELLANEOUS

- a. A 55-gallon steel drum with both ends enclosed must be used. No rubber or plastic barrels or barrel pads are to be used.
- b. Practice runs after the barrel pattern is permanently set and recorded must be at least fifteen (15) feet from the official rodeo pattern. Thus, no exhibition runs may be permitted during any performance or slack.
- c. Barrels should be set directly on top of the marker.
- d. A five (5) second penalty will be assessed for each barrel knocked over. Touching the barrel is permitted. A five (5) second penalty will be assessed if the barrel is knocked completely over and resets itself upright.
- e. It will be the responsibility of the flag judge to see that all barrels are placed correctly and that the pattern remains the same for entire contest.
- f. The flag judge will flag from a position directly behind the electric eye and must keep record of all the penalties.

g. The flag judge shall flag when the horse's nose reaches the starting line and shall flag when the horse's nose reaches the finish line. Anytime the contestant crosses the starting line, time will begin.

h. The flag judge will disqualify a contestant for not following the correct pattern which is making one right and two left, or one left and two right turns.

i. A contestant will be disqualified for not being ready to compete when her name is called or for not dressing according to the CSPRA dress code.

j. If back-to-back runs are to be given, it must be advertised in at least one issue of the official CSPRA publication and on the website, and a minimum of thirty (30) minutes between runs shall be allowed.

k. All positions will be drawn. Trade-outs will be permissible at all rodeos except the CSPRA Finals Rodeo.

l. Event Directors are responsible for any special year-end awards in their respective events if so desired.

SECTION IV - CSPRA FINALS

The CSPRA Finals is a four (4) go-round and an average, sudden-death event. The top ten (10) contestants at year end in each age group in each of the ten (10) sanctioned events (See, Section II-D, Rodeo Committee Rules No. 2 "Events") are eligible to compete at the CSPRA Finals. If someone in the top 10 does not enter the Finals, the next qualified person in the standings becomes eligible until all 10 positions are filled. Each contestant enters the Finals with zero points.

A. CSPRA FINALS QUALIFICATION

1. You must compete in an event, including appropriate age category, as a CSPRA Member at minimum of five (5) CSPRA approved rodeos in Canada to qualify to compete in that event at the CSPRA Finals and/or to qualify for the CSPRA Season Leader title and award. For roughstock riding events five (5) rodeos or however many if less than five rodeos have roughstock events during the year is needed.

a. If a contestant is entered in a rodeo and his/her event or the entire rodeo is cancelled at the discretion of the rodeo committee, the cancelled event or rodeo will count towards the contestant(s) qualifying at the Finals. They will receive one (1) point for each event in which they were entered.

2. You must have at least five (5) points in an event to qualify for the Finals in that event. A bonus of one (1) point per rodeo competed in will be given in an event only if you have not placed at any rodeos during the year in that event.

3. Contestants age 68 and over can enter all three (3) calf roping events (60+ Tie Down Roping, 68+ Tie Down Roping, and Men's Breakaway Roping) at the Finals if they have qualified in all three.

4. Points in team roping will be kept in each category of heading and heeling. How you enter the Finals will determine the header and heeler for year-end champion.

a. The top ten (10) headers will partner with the top ten (10) heelers with

existing partnerships taking priority. If someone should not go, the next person in the standings of the appropriate side becomes eligible. This applies to Ribbon Roping partners as well.

B. CSPRA FINALS POINT SYSTEM

The Point System for the CSPRA Finals is based on four (4) go-rounds and an average.

1. The following points will be awarded in each go-round and the average and will not change even if additional go-rounds should be added.

	<u>All Go-Rounds</u>	<u>Average</u>
1 st Place	40	40
2 nd Place	30	30
3 rd Place	20	20
4 th Place	10	10

2. The Average will be calculated on accumulated times or scores over the four (4) go-rounds, not on go-round points.

3. Barrel racers will run in order of accumulated points, not in a drawn order, changing daily as laid out by the event director.

C. CSPRA FINALS AWARDS

1. All awards for the Finals must be brought before the Board for approval.

2. All champions must be present at the Awards Banquet to accept award(s).

a. All-Around (High-Point) Awards are awarded to persons entered in a minimum of two (2) events.

1) For contestants entered in more than three (3) events, the top three events at end of the year will be counted for the All-Around Awards.

2) There will be both a Men's and Ladies All-Around Award for year end.

3. Awards shall be made to both partners in the partner events.

4. In case no one has a qualified time or score in an event at any rodeo during the year, the contestants' entry fees, less the 5% retained by the CSPRA, will go to added money at the Finals in that event.

D. CSPRA FINALS RULES

1. The Board of Directors may make any rules and/or format changes for the CSPRA Finals that are deemed necessary in any one given year.

2. Event Directors are in charge of their event and all inquiries must be directed to them.

3. The order of run for the first three days, in all events including steer wrestling, will be lowest to highest points according to the order that they qualified for the finals. Except in barrel racing, where they will run highest to lowest points on day one and then drop down three positions each day after as set out by the event director.

a. The fourth day order of run is based on points won from the first three days and will run lowest to highest. Ties go back to, and are based on, the points coming into the finals.

b. In all team events, the order of run will go by the total team points.

4. No set ups or trades are allowed for the Finals in any event.
5. All finals contestants must take finals stock when it is drawn for them in all events and be ready to compete when called.
6. Because of the Average, there can be no time limits in any timed event.
7. All finals contestants must compete in all 4 go-rounds to be eligible for average points or to win the championship.
8. Back numbers are to be worn throughout all performances and slacks.
9. The gate man will not push animals in the timed events.
10. There will be no refunds for any reason once the Finals has started.
11. Stock contractors are obligated to supply one (1) animal per contestant in all events. And, realizing the unique characteristics of CSPRA contestants, they are responsible for providing age-appropriate, suitable quality stock for all age groups in every event.
12. If a partner is injured during a team event, an age-appropriate replacement may be picked from the finals contestants who isn't already competing in that event. The remaining partner still competes for average and championships. The replacement must pay his/her portion of fees and is only competing for money. If a partner medicals out of the Finals before the first round of competition, the remaining partner must either take the next available qualified contestant in that event and age group or draw out. ("available qualified contestant" is defined as someone with five rodeos in that event and who is not already entered in that event).
13. Any unpaid payout money due to no rides/no times in an event goes back into CSPRA general account.



